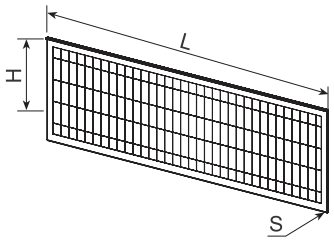
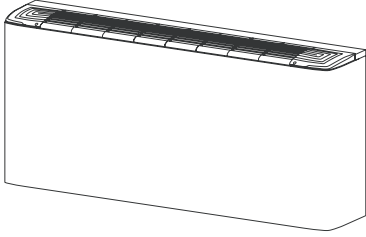


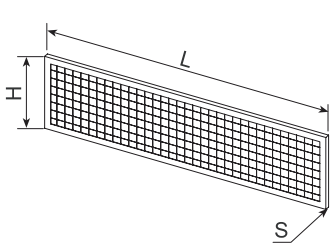
TANGENTIAL - K

| Modello | L     | H   | S |
|---------|-------|-----|---|
| K 10-20 | 504   | 190 | 3 |
| K 40    | 704   | 190 | 3 |
| K 60    | 904   | 190 | 3 |
| K 80    | 1.104 | 190 | 3 |

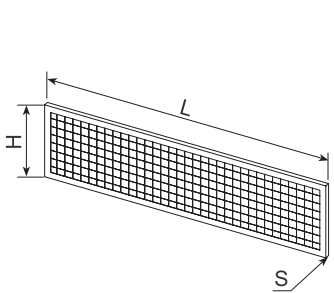
EUROPA TECNIC

| Modello   | L     | H   | S  |
|-----------|-------|-----|----|
| E 50      | 360   | 180 | 12 |
| E 100-200 | 504   | 180 | 12 |
| E 300     | 704   | 180 | 12 |
| E 400     | 904   | 180 | 12 |
| E 600-800 | 1.104 | 180 | 12 |
| E 1000    | 1.205 | 200 | 12 |



EUROPA ELEGANT - VTE

| Modello   | L     | H   | S  |
|-----------|-------|-----|----|
| E 50      | 304   | 190 | 12 |
| E 100-200 | 504   | 190 | 12 |
| E 300     | 704   | 190 | 12 |
| E 400     | 904   | 190 | 12 |
| E 600-800 | 1.104 | 190 | 12 |
| E 1000    | 1.205 | 210 | 12 |



VCE

| Modello     | L     | H   | S |
|-------------|-------|-----|---|
| VCE 10      | 364   | 205 | 3 |
| VCE 20      | 564   | 205 | 3 |
| VCE 30-40   | 764   | 205 | 3 |
| VCE 50-70   | 964   | 205 | 3 |
| VCE 80-90   | 1.164 | 205 | 3 |
| VCE 100     | 650   | 238 | 3 |
| VCE 110-120 | 800   | 238 | 3 |

